

# Schneider Electric Xantrex™ XW MPPT 80 600 Solar Charge Controller

The XW MPPT 80 600 is an innovative solar charge controller that offers an industry-first set of features: high PV input voltage (up to 600 Vdc), Maximum Power Point Tracking (MPPT), and 80 A charge current. 600 Vdc PV input voltage delivers lower installation costs through fewer PV strings, longer home runs, smaller wiring and conduit, and virtual elimination of PV combiner boxes and circuit breakers. MPPT technology helps harvest the most energy available from the PV array, regardless of environmental conditions. 80 A battery charge current allows for connection of arrays rated at up to 4800 W (48 V battery bank).

## Features

- Up to 600 Vdc input
  - Full Power Range: 230 to 550 Vdc
  - Operating Range: 195 to 550 Vdc
  - MPPT Range: 195 to 510 Vdc
  - PV Array Start Voltage: 230 Vdc
- 80 A Output; 48 V or 24 V Battery (nominal)
- Full Power (4,800 W; 2,560 W) up to 45 C (113 F)
- Fast Sweep MPPT Algorithm
- Two- or Three-stage Battery Charger, Plus EQ
- Battery Type Settings: FLA, AGM, Gel, Custom
- Battery Temperature Compensation
- High Efficiency: 96% nom @ 48 V; 94% nom @ 24 V
- Low Tare Loss (0.5 W; Xanbus Power Supply Off)
- Built-in GFP and Indicator
- Input Over-voltage and Over-current Protection
- Output Over-current and Back-feed Protection
- Over-temperature Protection
- PV Cell Compatibility: Mono, Poly, String, Thin-Film
- Selectable PV Array Grounding: (+), (-), or ungrounded
- Positive or Negative System Ground
- Xanbus Compatible with AGS, Gateway, SCP, and XW
- AUX Output (dry contact, form "C")
- PDP Mounting Compatible (30" x 8.5" x 8.5")
- Variable Speed Cooling Fans

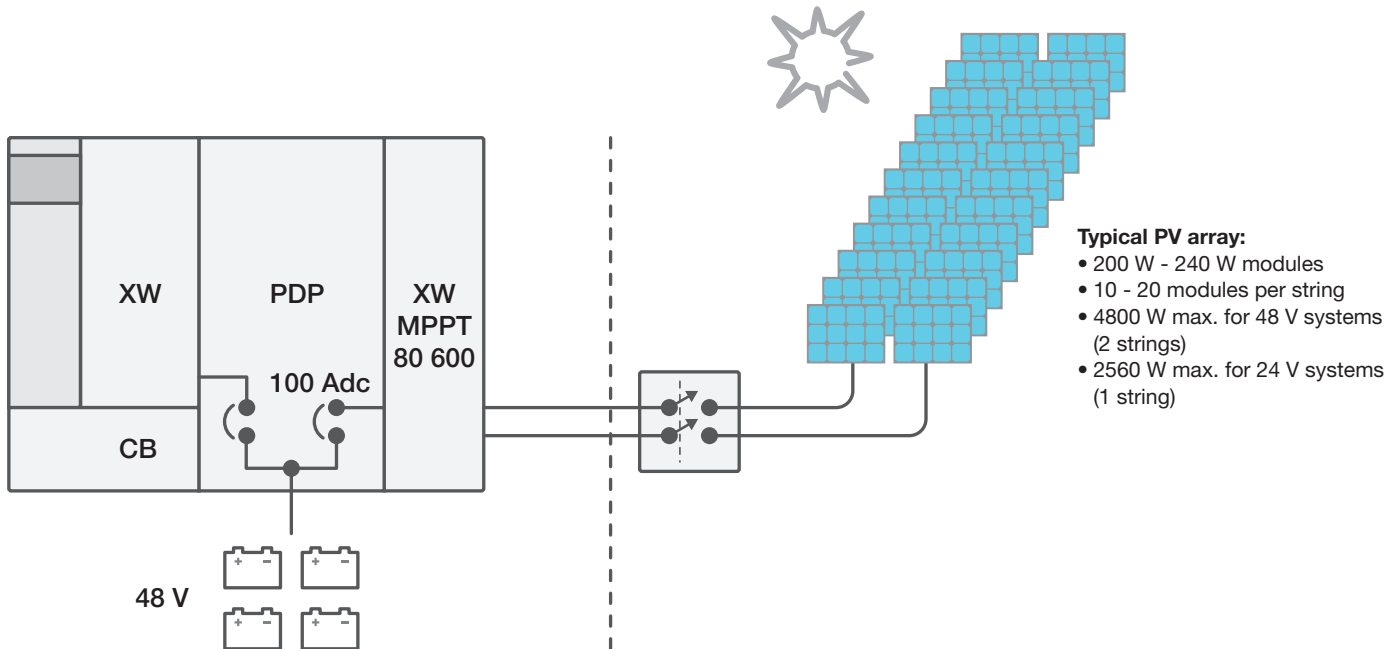


Available From:

[SolarPanelStore.com](http://SolarPanelStore.com)

**Schneider**  
Electric

# Typical system configuration



## Xantrex™ XW MPPT 80 600

Device short name

XW MPPT 80 600

### Electrical specifications

Nominal battery voltage	24 and 48 V (Default is 48 V)
Max. PV array voltage (operating)	195 to 550 V
Max. PV array open circuit voltage	600 V
Max. PV array input current	35 A
Max. and min. wire size in conduit	#6 AWG to #14 AWG (13.5 to 2.5 mm <sup>2</sup> )
Charger regulation method:	Three-stage (bulk, absorption, float) Two-stage (bulk, absorption)

### General specifications

Power consumption, night time	< 1 W
Enclosure material	Indoor, ventilated, aluminum sheet metal chassis with 22.22 mm and 27.76 mm (7/8 in and 1 in) knockouts and aluminum heat sink
Product weight	13.5 kg (29.8 lb)
Shipping weight	17.4 kg (38.3 lb)
Product dimensions (H x W x D)	76 x 22 x 22 cm (30 x 8.625 x 8.625 in)
Shipping dimensions (H x W x D)	87 x 33 x 27 cm (34.3 x 13 x 10.6 in)
Device mounting	Vertical wall mount
Ambient air temperature for operation	-20°C to 65°C (-4°F to 149°F), power derating above 45°C
Storage temperature range	-40°C to 85°C (-40°F to 185°F)
Operating altitude	Sea level to 2000 m (6562 ft)
Warranty	Five-year standard
Part number	865-1032

### Regulatory approvals

Certified to UL1741: 2nd Ed and to CSA 107.1-01; CE

Specifications are subject to change without notice.

Make the most  
of your energy

**Schneider**  
Electric